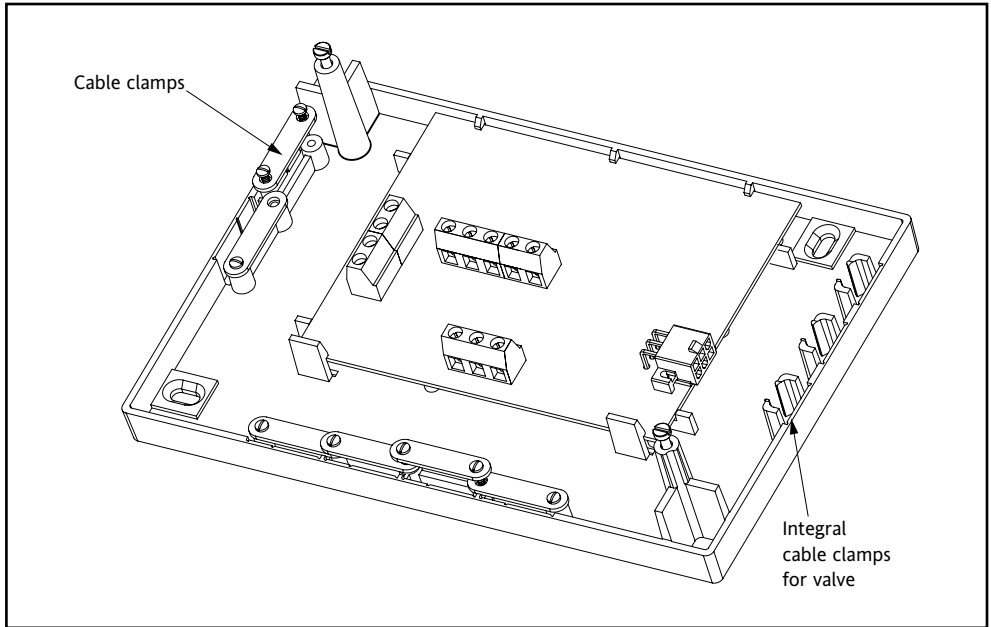


Cable clamps



WHERE ANY DOUBT EXISTS, PLEASE SEEK PROFESSIONAL ADVICE



Climate Control Systems Europe

Customer Service Tel: +44 (0) 845 130 5522

Customer Service Fax: +44 (0) 845 130 0622

Technical Helpline Tel: +44 (0) 845 130 7722

Website: www.climate-eu.invensys.com

Email: customerservices@invensys.com

**CONFORMS TO THE ESSENTIAL
REQUIREMENTS OF THE
FOLLOWING DIRECTIVES**

89/336/EEC

– Electromagnetic compatibility

73/23/EEC

– Low Voltage Directive



Invensys Climate Controls Systems Europe continuously seek to improve products and reserve the right to make changes without notice

Every effort has been made to simplify the instructions and to ensure accuracy. However, the information is provided for guidance only and Invensys Climate Control Systems Europe are unable to accept liability for incorrect installation.

06490025001 Iss. A

1102

Simp-L-Zone

ADDITIONAL ZONE Plug-in Heating Control Pack with Drayton and Tempus, Lifestyle or Switchmaster products

Installation and wiring guide

Wiring centres, designed to simplify wiring installations and circuit checking, lose some of their value if they are not in themselves easy to understand and use. The *Simp-L-Zone Plug-in Wiring Centre* has been introduced to meet this requirement in the following ways:

- Plug in connections are used on the zone valves

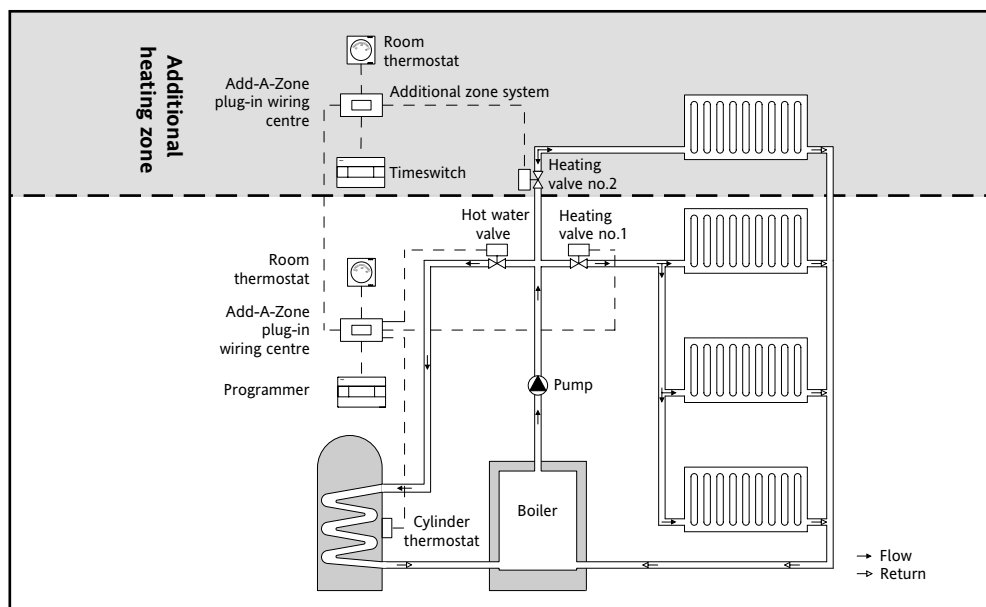
which reduces installation time and eliminates the possibility for incorrect wiring.

- Each terminal is clearly printed i.e. Additional Zone L, E, N and S/L so as to reduce confusion.

N.B. All wiring must be to the latest I.E.E. standards and carried out by a competent, qualified installer.

Contents

- Timeswitch
- Zone valve heating
- Room thermostat
- **Simp-L-Zone plug-in wiring centre (additional zone system)**



Timeswitch

See separate instruction leaflet

Motorised valves

Installation

DO NOT ATTACH THE ACTUATOR UNTIL THE VALVE BODY HAS BEEN FITTED AND ALL PIPEWORK CONNECTIONS ARE MADE. ENSURE MINIMUM CLEARANCES ARE ADHERED TO (see below).

Install the valves in a clean, dry location where the ambient temperature does not exceed 52°C. The body must not be installed with the actuator below the horizontal so as to avoid any potential ingress of water from leaking pipe work. The body should be installed such that the actuator release button, manual lever and motor cover retaining screw are left accessible and the valve position indicator visible when the actuator is fitted.

Cut connecting copper tubes to allow 10-15mm

penetration into the valve body, and ensure pipe ends are square and free of burrs. Slip the compression nuts over the ends of the pipe followed by the copper olives so that these fit into the threaded sections of the nuts. Offer up the valve body, screw on and tighten the compression nuts by hand until finger tight and then tighten fully with a spanner or adjustable wrench, using another wrench on the flats of the body to stop it rotating. Care must be taken not to overtighten or to put any mechanical force on the plastic parts of the valve

Before the actuator is fitted to the body, the manual lever must be moved to the right and pushed in to lock in place (this manual lever is used when filling, venting and draining the installation).

Position the actuator

over the spindle ensuring the two locating pegs on the actuator mate with bosses on the body and press down. The actuator will lock into place automatically (an audible click will be heard).

Operation

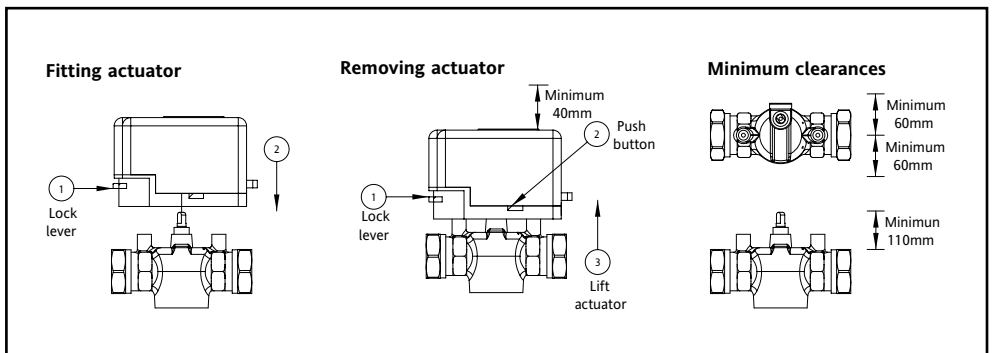
Two port valves are supplied normally closed, (they have to be powered to open). They spring return to the closed position when the power is removed. Flow direction should be in through Port 'A' and out through Port 'B'.

Valve position indicator

A = Valve closed
B = Valve open

Plug-in connection

Once the fitting of the valve and actuator is complete, simply push the connector into the socket provided.



Room thermostat

Location

Care should be taken to mount the thermostat in a position, which is not subject to direct sunlight or draughts. Preferably it should be fixed on an inside wall about 1.5m above the floor, in a position where it can respond to room temperature, but away from the direct influence of radiators or other appliances giving off heat.

Fixing

1. Loosen the securing screws, remove the wall-plate and, if surface wiring is to be used, snap out the cable entry strip on the bottom edge of the wall plate with a pair of pliers.
2. Fix the wall-plate, terminals at the top, either direct on to a flat wall using wall plugs and No.6 x 1" woodscrews or on a flush mounting single

conduit box using M3.5 x 14 screws

3. Complete the wiring to the wall-plate in accordance with the diagram.

Note: The thermostat is for fixed wiring only and is double insulated, the earthing continuity (loop) terminal is only for convenience.

4. Plug the thermostat on to the wall-plate and tighten the securing screws.

Simp-L-Zone plug-in wiring centre

(Additional zone system)

The plug-in wiring centre can accept cable entry from either fixed wiring rear access or via surface mounted/conduit entry.

The cables should be connected to the relevant terminal blocks as detailed in the connection diagrams opposite and the zone valve should be plugged into the correct connector (marked *Zone Valve HTG*).

Cable clamps are provided (if required) for the timeswitch, room thermostat and additional zone terminal blocks. The connection for the zone valve is provided with integral cable clamp (see *drawing overleaf*).

